

PART NAME

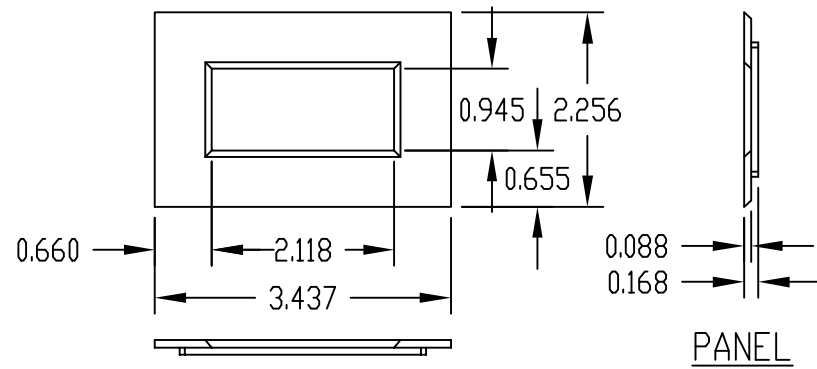
PLASTIBOX (STYLE "G")

PART No.

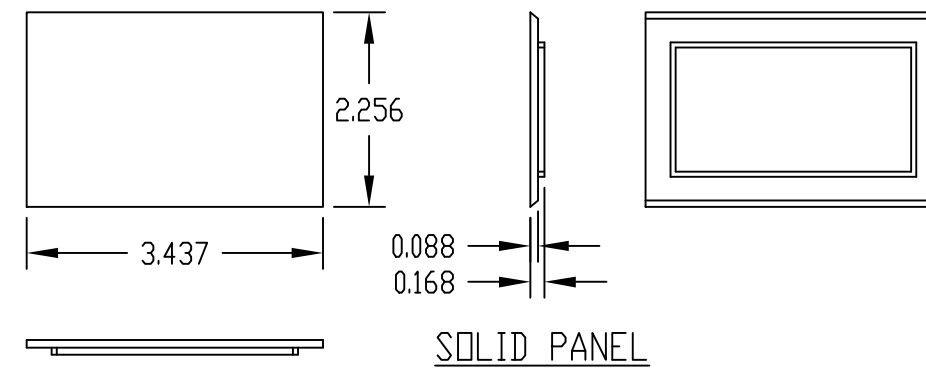
PSP-11573

REV. DATE

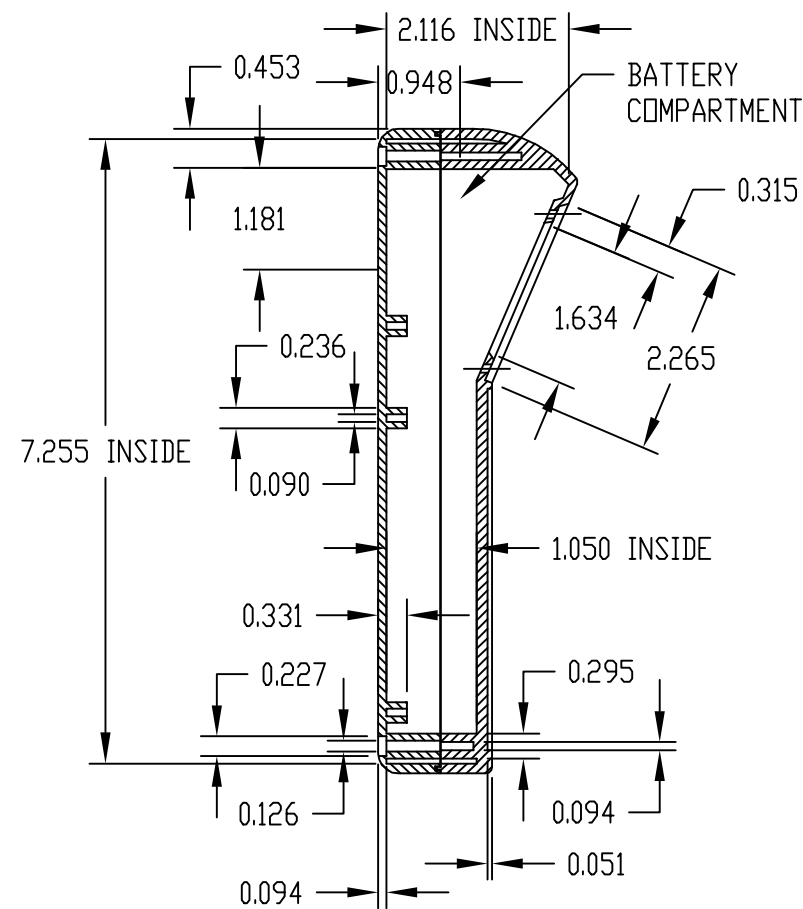
4-6-05



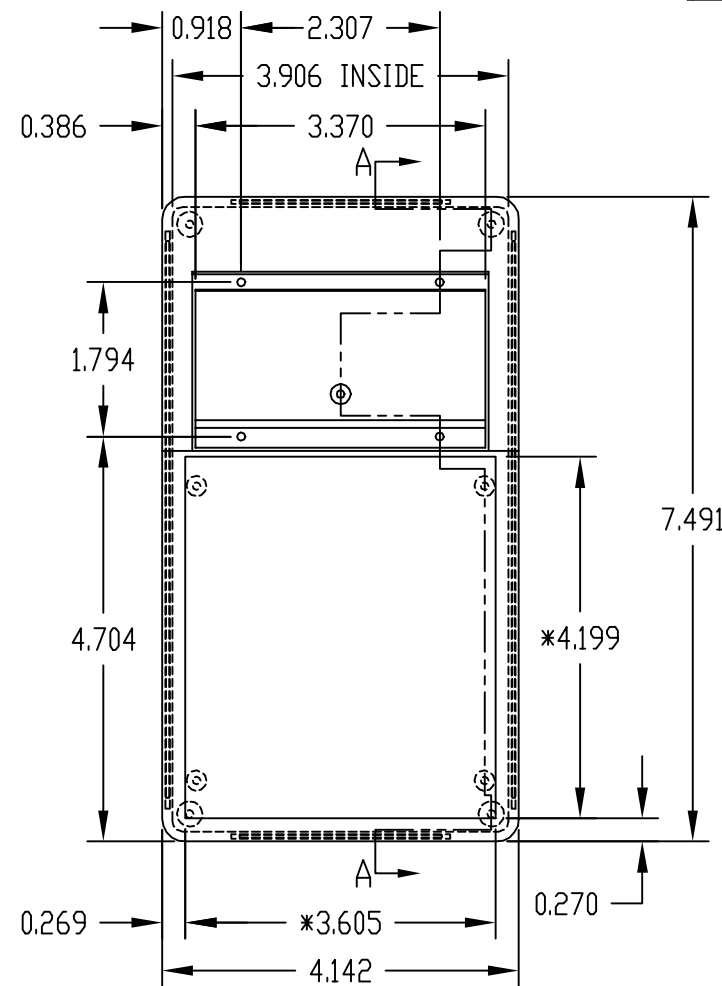
PANEL



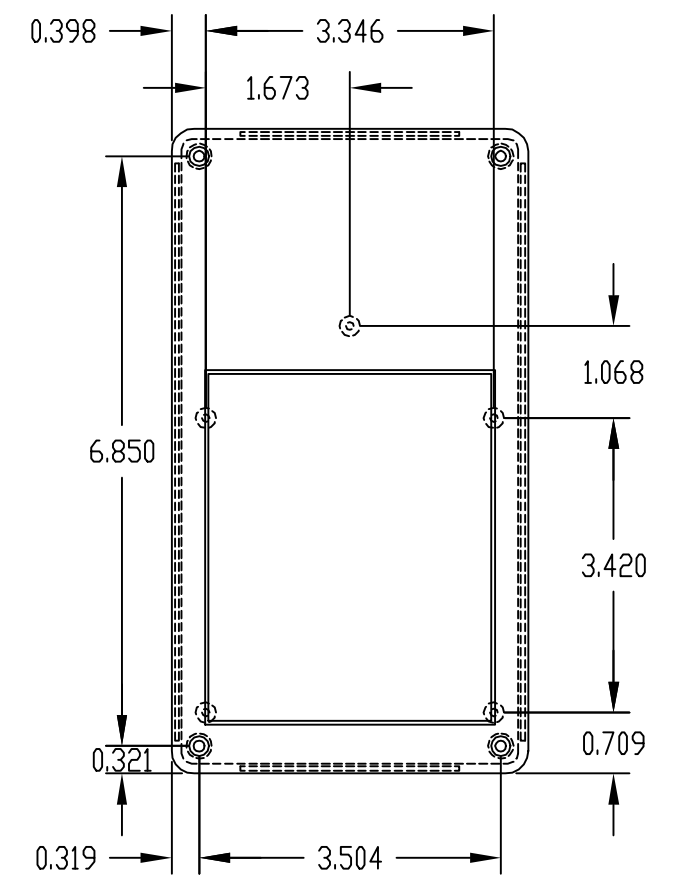
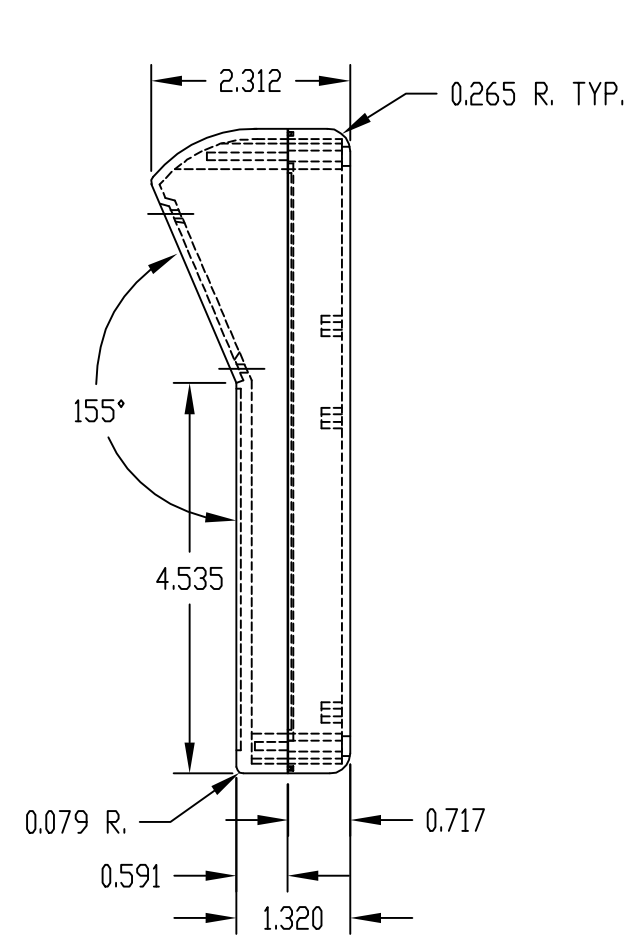
SOLID PANEL



SECTION "A-A"



BASE AND COVER



MATERIAL - HIGH-IMPACT ABS
 COLOR - BLACK
 - LIGHT GRAY
 FINISH - TEXTURED BODY WITH
 SMOOTH TOP INSERT AREA
 * - SMOOTH AREA
 (4) M3 x 25.4mm SCREWS INCLUDED.
 ALL DIMENSIONS HAVE ±0.015 TOLERANCE.